

TN20

WOOD STOVE



NEW FOR 2015. The TN20 features entry-level tubes as part of the combustion system, offering a cost effective solution for the price-minded wood burner. Constructed with standard 10-gauge steel, the TN20 features a gasketed cast iron door, clean glass airwash, and high efficiency. Available with legs or a pedestal base, the TN20 offers an exceptional cost - performance ratio.

STANDARD FEATURES

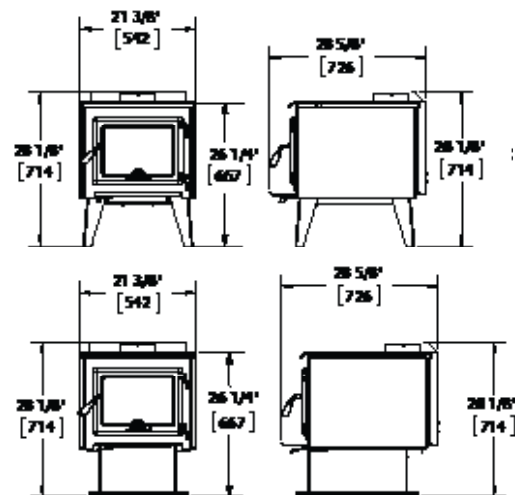
- Reliable, durable non-catalytic technology
- Air wash system for super clean ceramic glass
- Inside and outside combustion air capable
- Heavy plate-steel top
- Mobile home approved
- Single-Lever Air Control
- EPA Certified
- Cast iron door

DESIGN OPTIONS

Choice of Metallic Black Legs or Pedestal Base

PERFORMANCE OPTIONS

60 cfm convection blower



TECHNICAL

- Heat Output Cord Wood (BTU) 62,000 BTU
- Heat Output EPA (BTU) 13500-29000 BTU
- Efficiency 75%
- Emissions 2.1g/hr.
- Firebox Size 2.0 cu.ft.
- Log Size (max.) 18 in.