

Fig. 1 a

Product:
Jøtul I 520 F

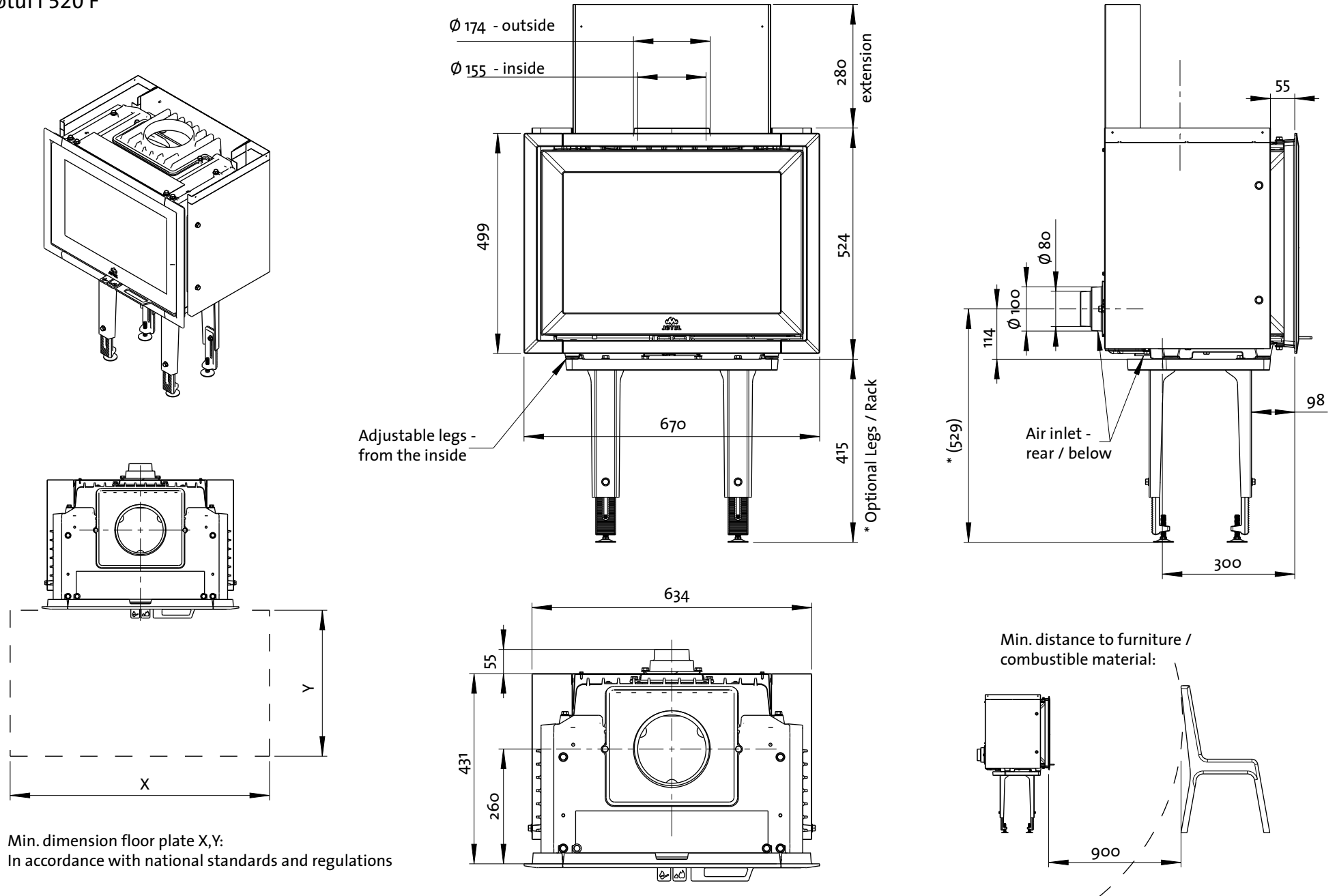


Fig. 1 b

Product:

Jøtul I 520 FR

Jøtul I 520 FL

Jøtul I 520 FRL

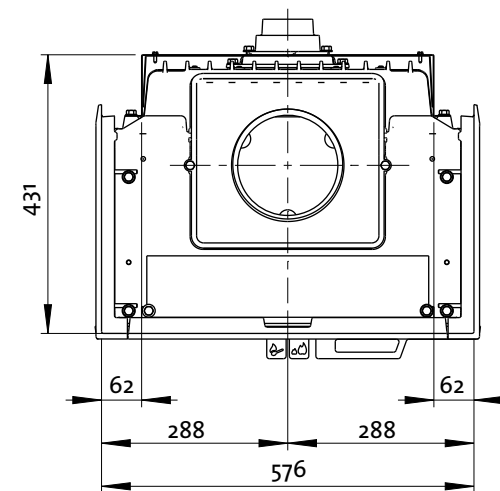
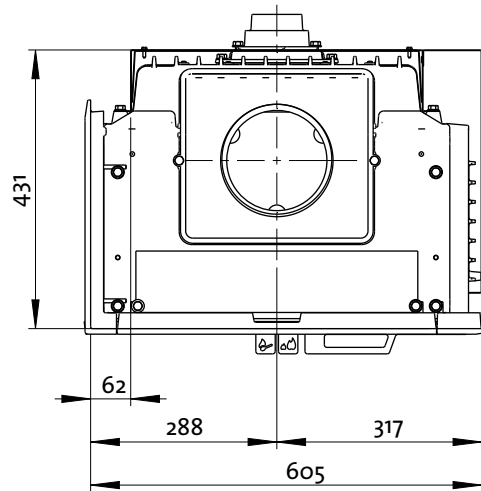
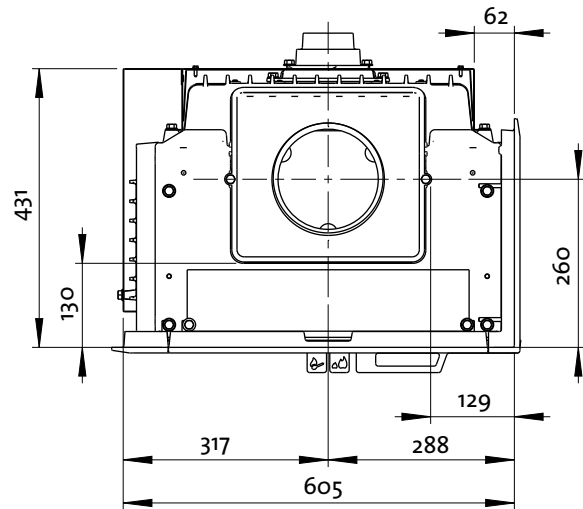
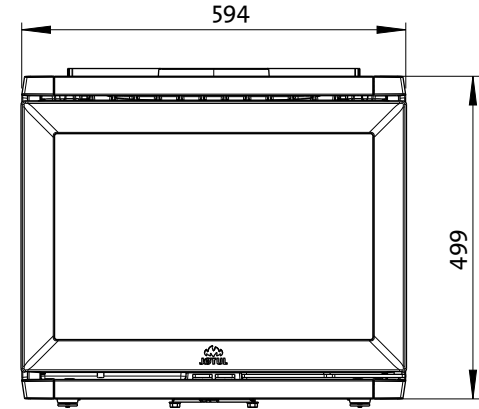
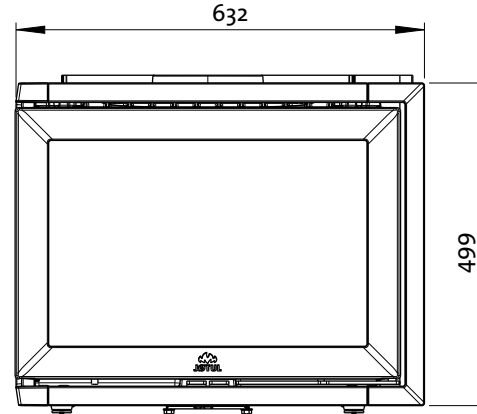
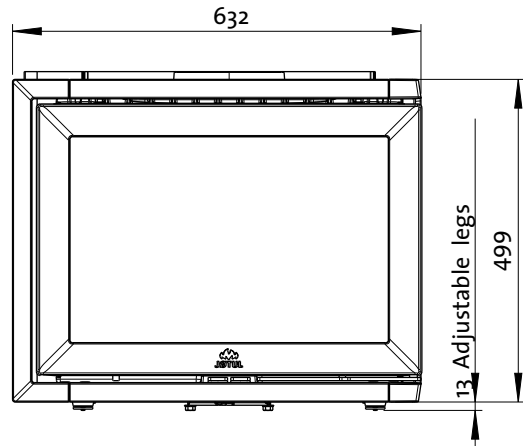
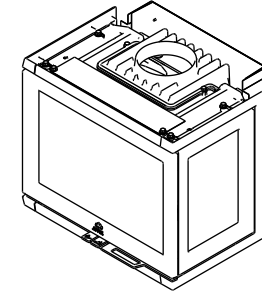
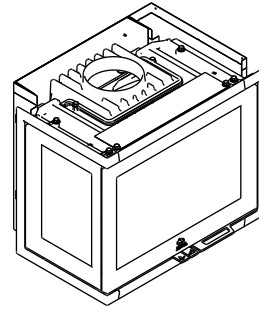
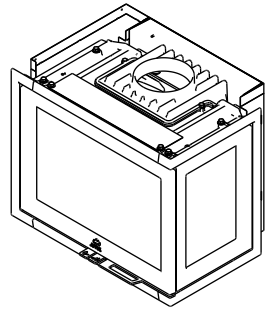
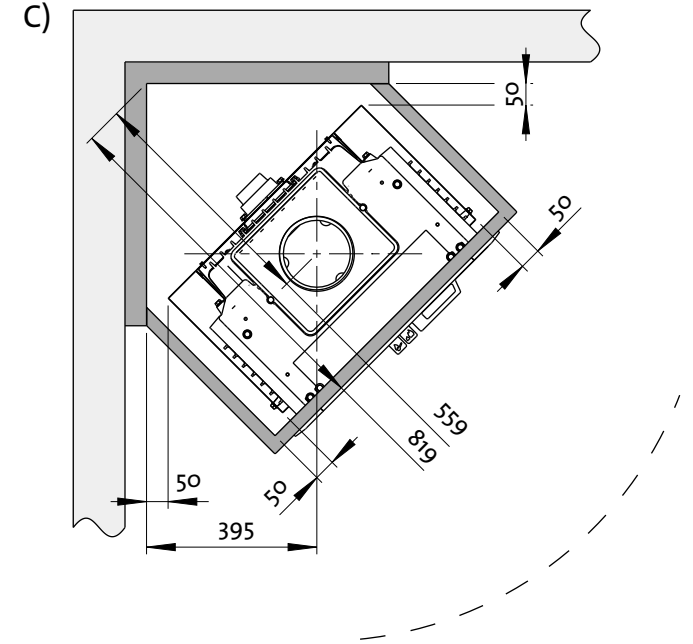
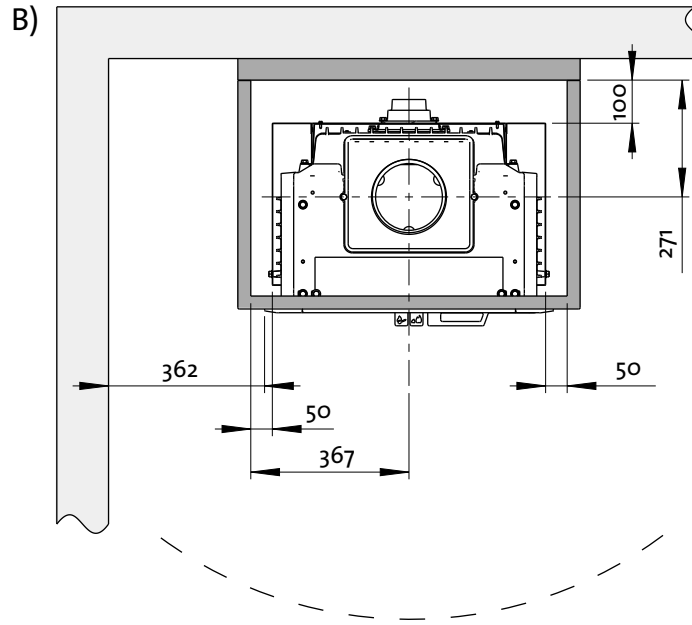
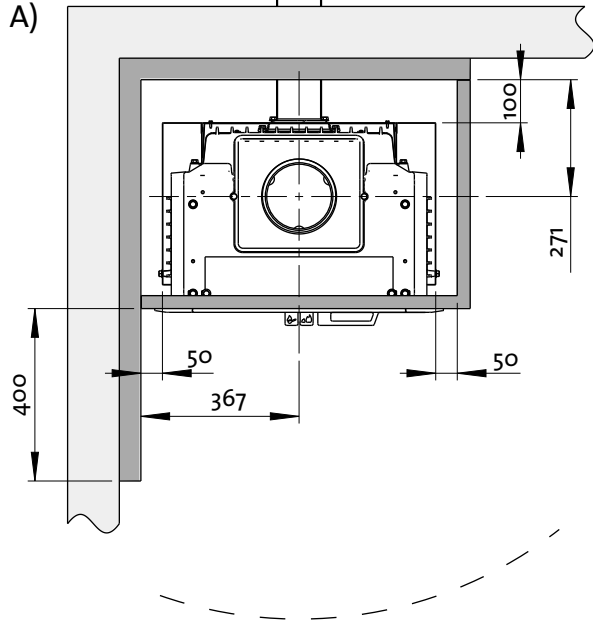


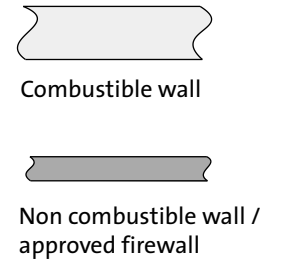
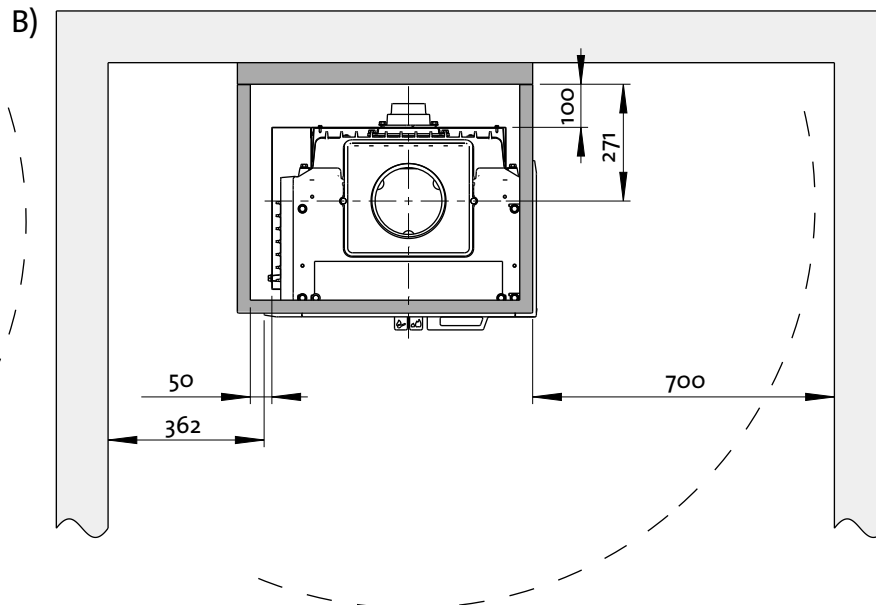
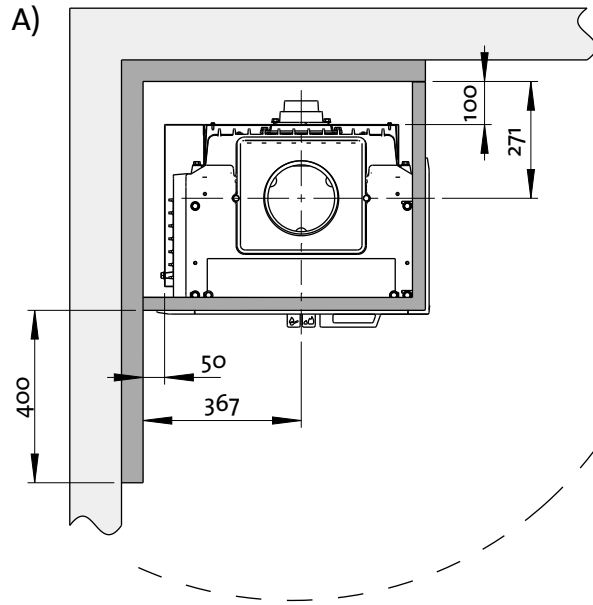
Fig. 1 c

Jøtul I 520 F

Min. distance to combustible wall protected by approved firewall



Jøtul I 520 FR:

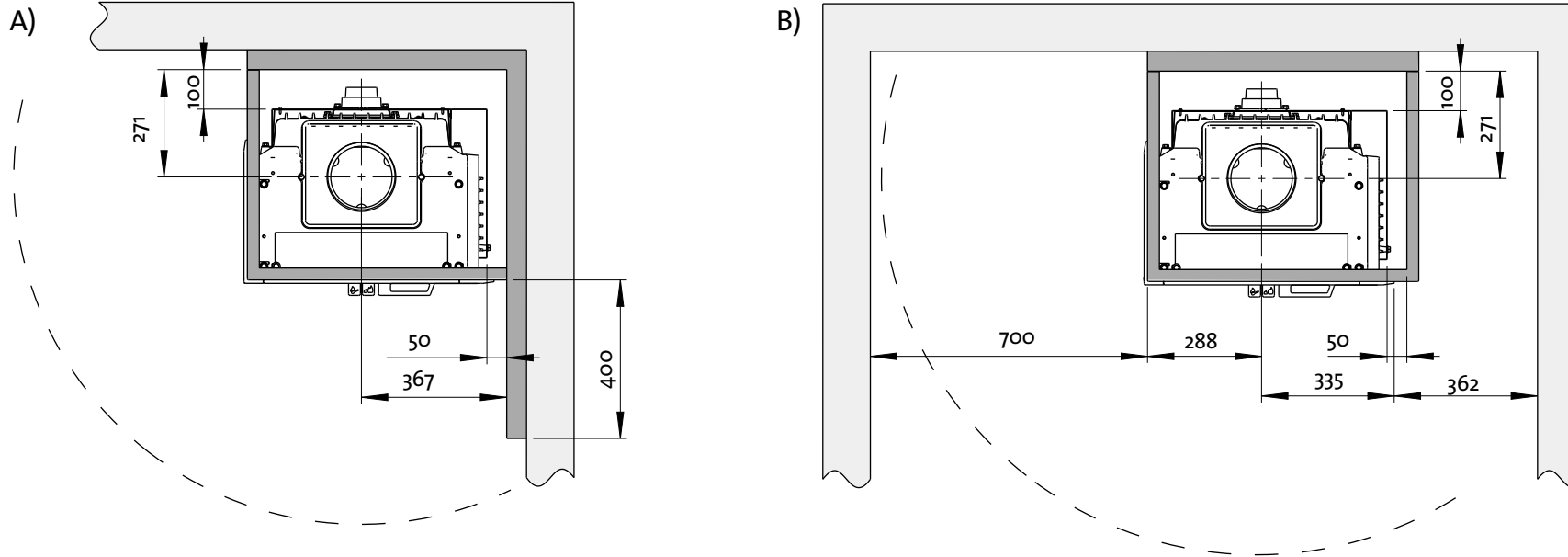


NB ! Min. distances provide semi-insulated chimney or shielded flue pipe down towards the product.

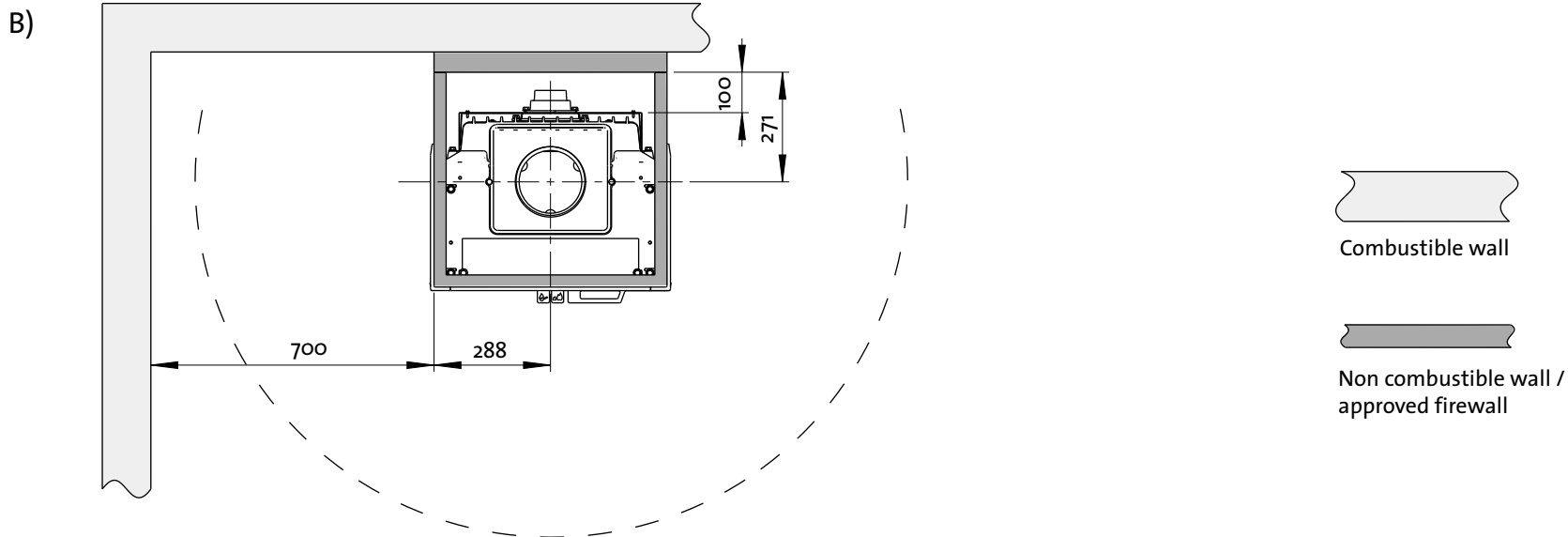
Fig. 1 d

Jøtul I 520 FL

Min. distance to combustible wall protected by approved firewall



Jøtul I 520 FRL



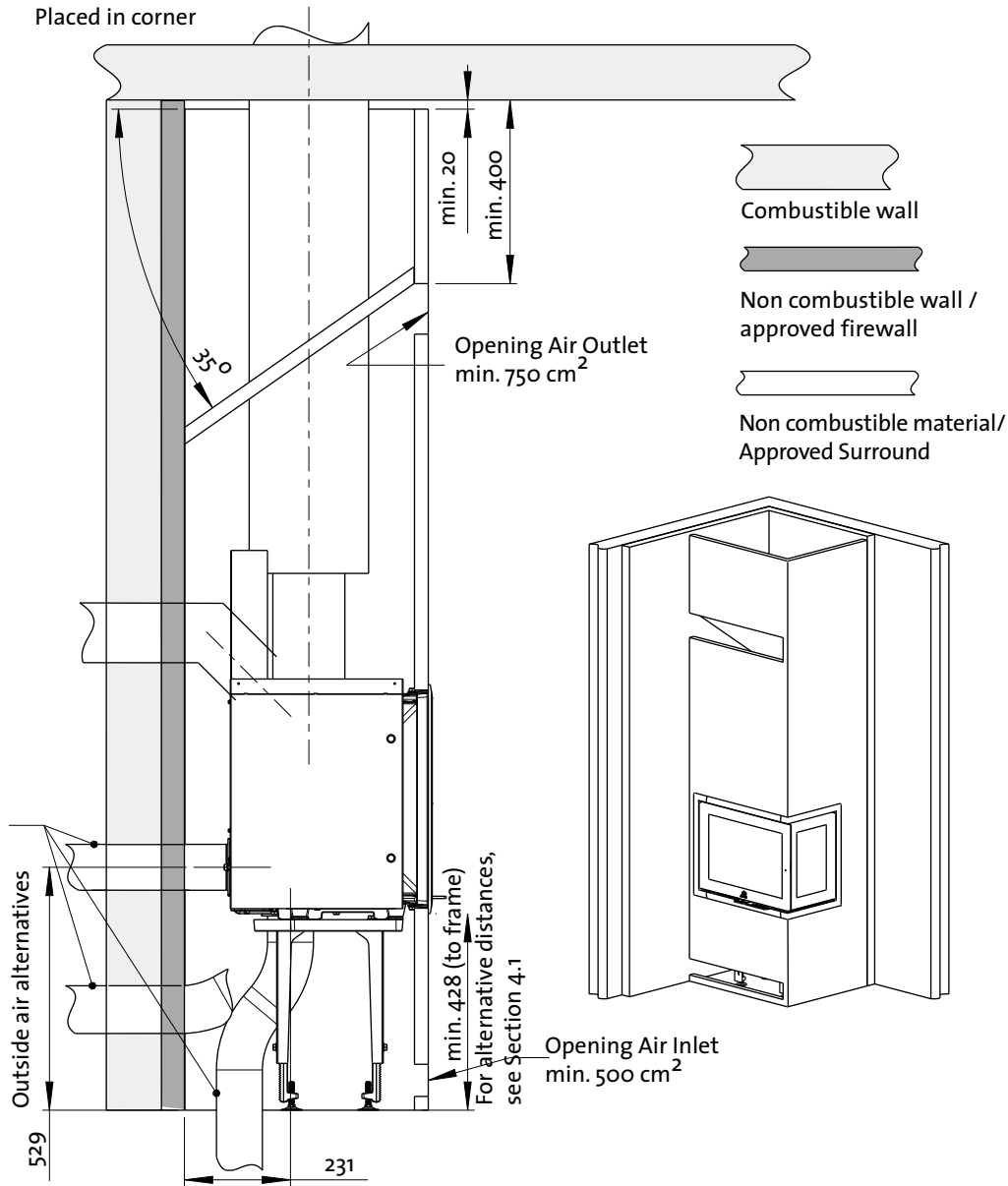
NB! Min. distances provide semi-insulated chimney or shielded flue pipe down towards the product.

Fig.1 e

Min. distance to combustible ceiling / floor

Jøtul I 520 F / I 520 FR / I 520 FL - alt. A), C)

Placed in corner



NB! Min. distances provide semi-insulated chimney or shielded flue pipe down towards the product.

Fig.1 f

Min. distance to combustible ceiling / floor

Jøtul I 520 F / I 520 FR / I 520 FL / I 520 FRL - alt. B)

Placed against straight wall - NB! Not in corner

